



**There must be a way** to remove settled solids from a pond without draining it and taking the pond out of service . . .

Meet the **"FLUMP"**™ - a remote-controlled dredge . . . our answer to continuous removal of settled solids without compromising your plant's ability to perform.

For the most effective solutions to settled waste problems, **municipal and industrial plant managers count on Crisafulli to save them time, money . . . and to get the job done!**



**Severe Duty  
FLUMP with pond  
liner protection  
system**

**Performance  
Economy  
Customization**

Simply the most productive cutterheads available.

Our shroud design maximizes solids capture, spending less of your time and money handling unneeded water. Dual opposing auger sections provide 5,500-11,000 inch/pounds of digging torque with incredible reliability.

Our exclusive "Pivoting Traverse" system increases productivity by more than 50%. With only a minute to reposition, you get 100% efficient reverse dredging!

If you need it, we design and build it. Our team of engineers and technicians manufacture FLUMPs with dredging depths to 12 feet, and custom depths to 30 feet. With a wide range of pump and cutterhead sizes and fabricated in a variety of special metals, the FLUMP will successfully manage your most challenging settled waste problem.

**More FLUMP benefits**

- Remote-controlled for safety and economy**
- Automated systems available**
- Simple to maintain**
- Tremendous after-sale support**
- High solids dredging performance with minimum turbidity**
- Pond liner protection systems (optional)**



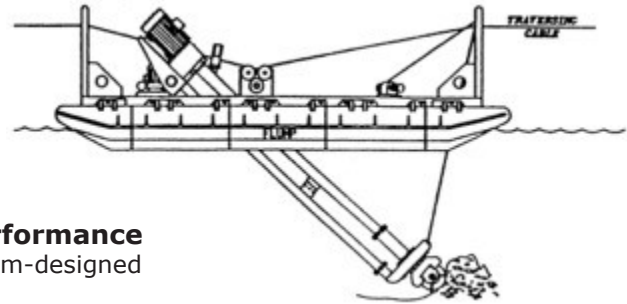
Pumps - Dredges - Power Units - Custom or Standard  
Manufacturers of reliable Crisafulli products supported by superior service worldwide

**Visit us online today  
[www.dredge.net](http://www.dredge.net)**

# FLUMP

## Remote-controlled dredge by SRS Crisafulli, Inc.

For safe, easy removal of settled wastes, including biosolids, raw sewage, sludge, and more, rely on the FLUMP. Its structural steel framework and lightweight construction make it durable and easy to transport. Finally, a powerful solution in a small, economical package. Our compact FLUMP works well in small ponds or lagoons where conventional dredges simply won't fit.



### Easy to transport . . . sensibly priced . . . incomparable performance

Choose from Standard or Severe Duty FLUMP models, or specify a custom-designed FLUMP, and take control of your dredging schedule!

Severe Duty FLUMP

FLUMP	Standard Duty 3-inch	Severe Duty 3-inch	Severe Duty 4-inch
Length (overall)	17.5 feet ( 5.33 m)	21 feet (6.40 m)	21 feet (6.40 m)
Length (pontoons)	15 feet (4.57 m)	18 feet (5.48)	18 feet (5.48)
Width (pontoons)	7 feet (2.13 m)	8 feet (2.44 m)	8 feet (2.44 m)
Height (overall)	4.5 feet (1.32 m)	6 feet (1.83 m)	6 feet (1.83 m)
Weight (approx.)	3,000 Lbs. (1,361 kg)	3,250 Lbs. (1,474 kg)	3,500 Lbs. (1,587 kg)
Draft	1 foot (0.30 m)	1 foot (0.30 m)	1 foot (0.30 m)
Pump Motor HP	25 HP (14.9 kW)	40 HP (29.8 kW)	50 HP (37.7 kW)
Cutterhead width	4 feet (1.22m)	8.5 feet (2.59 m)	8.5 feet (2.59 m)
Cutterhead torque	5,500 in.-lbs (622 Nm)	5,500 in.-lbs (622 Nm)	5,500 in.-lbs (622 Nm)
Cutterhead drive	Single	Single	Single
Cutting teeth	Hardened steel	Hardened steel	Hardened steel
Dredging depth	0 to 8 feet (0 to 2.43 m)	0 to 12 feet (0-3.66 m)	0 to 12 feet (0-3.66 m)
Width of dredge cut	3 feet (0.91 m)	7.5 feet (2.29 m)	7.5 feet (2.29 m)
Dredging speed	3-15 ft/min (.91-4.57 m/min)	3-15 ft/min (.91-4.57 m/min)	3-15 ft/min (.91-4.57 m/min)
Sludge pump	3" S-series	3" J-series	4" J-Series
Pump/Dredge discharge	3 x 4 inches	3 x 6 inches	4 x 6 inches
Color	Standard grey epoxy	Standard grey epoxy	Standard grey epoxy
Electrical power	230/460 VAC, 3 Ph, 60 Hz	230/460 VAC, 3 Ph, 60 z	230/460 VAC, 3 Ph, 60 Hz
Pontoons	Foam filled, 12 gage steel	Modular polyethylene	Modular polyethylene

**FLUMP - Already proven worldwide.** A FLUMP user recently wrote: "We would like to thank you for your wonderful FLUMP. We have been dealing with our wet sludge lagoon for years and have not always been successful. We found your system to be of excellent design and robust construction. The control system is direct and easy to understand. The FLUMP has exceeded our expectations. From beginning to end, you, your machine, and the people who work for you are clearly first rate. Sincerely, Ethan V. Howard III, Manchester Water Works, Manchester, NH."

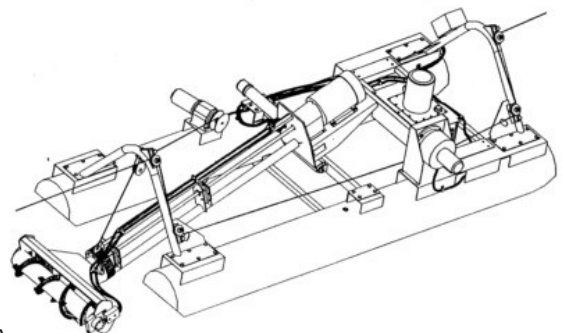
Ask for our client testimonials and case histories or read them at [www.dredge.net](http://www.dredge.net)



Pumps - Dredges - Power Units - Custom or Standard  
Manufacturers of reliable Crisafulli products supported by superior service worldwide

SRS Crisafulli, Inc. - 1610 Crisafulli Drive - P.O. Box 1051 - Glendive, MT 59330 - USA  
Phone: 406-365-3393 - Toll free: 800-442-7867 - Fax: 406-365-8088

**E-mail: [srsc@crisafulli.com](mailto:srsc@crisafulli.com) - [www.dredge.net](http://www.dredge.net)**



Standard Duty FLUMP